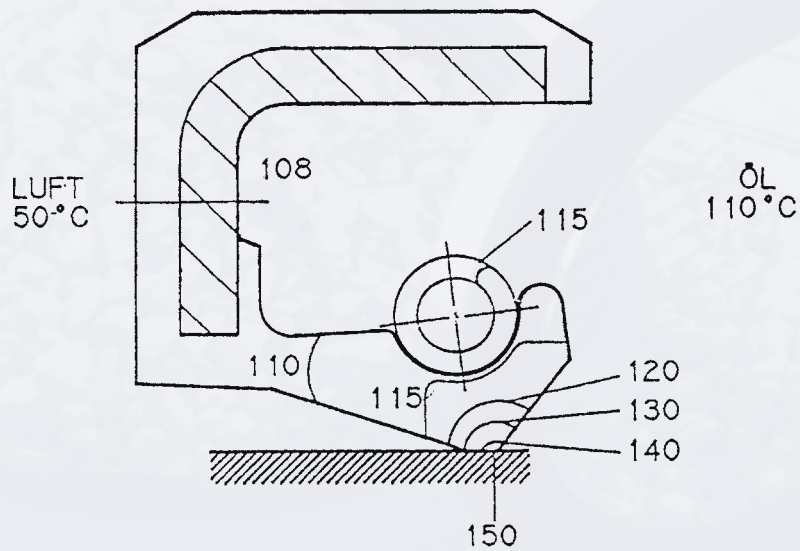


## temperature distribution sealing ring



### Reference Conditions

speed	12 m/s
oil	SAE W 10/50
oil pressure	none
oil temperature	110 °C
air temperature	50 °C
housing temperature	50 °C
housing material	cast iron
seal polymer	NBR - HNBR - FPM

temperature distribution sealing ring